

STRADA
Deddicai18
THE RACING TECHNOLOGY

Deddicciadi^{STRADA}**18**
THE RACING TECHNOLOGY

CONTENTS

| | | | | | | |
|-------------|----------------------------|------------------------|---------------------|---------------------------|------------------------|---------------------------|
| CARBON ROAD | SCURO25 4 | RAN RS 10 | ATLETA 14 | VERTIGINE DB 20 | VERTIGINE 24 | GLADIATORE 2 28 |
| METAL ROAD | TITANIO25 32 | ACCIAIO25 36 | | | | |
| CRONO | FLASH 2 40 | | | | | |
| CROSS | SUPERCROSS DB 44 | | | | | |

SCURO 25

THE BEST FRAME IN OUR HISTORY IS BACK WITH AN UPDATED DESIGN
AND DISC COMPATIBILITY

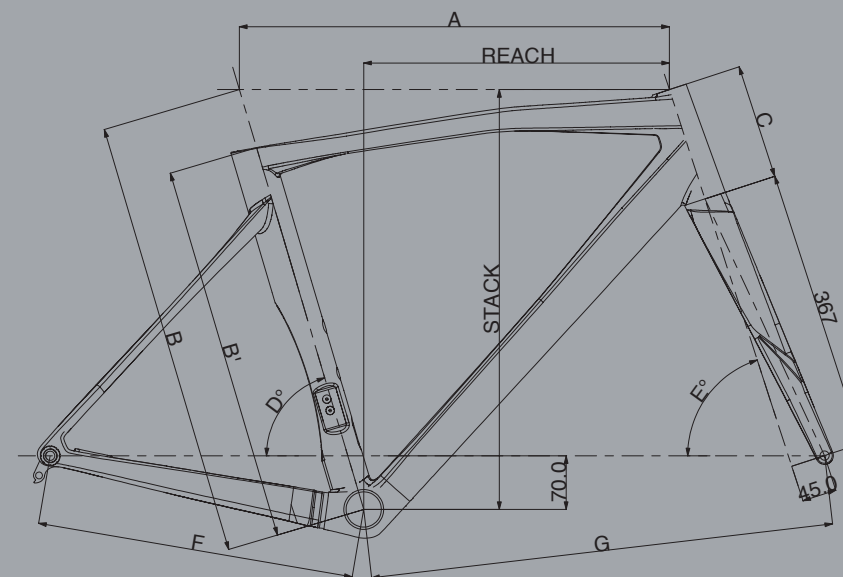


COLOR CUSTOMIZATION



SCURO 25

| | | | |
|---|--|--|--|
| Carbon monocoque T700/T800 | Frame weight 950 g (size M) | Five sizes S, M, L, XL, XXL | Bottom bracket PF30 |
| Inner cables routing for mechanical and electronic devices | Adjustable aero seatpost weight 235 g | Carbon monocoque EDG DB fork weight 430 g | Tapered headtube 1"1/8 - 1"1/2 with integrated headset SSDIFF83 |
| Compatible hanger FRCPPP12LD | Recommended trough axle item number front fork PP12012 - M12*P1.5*120 | Recommended trough axle item number rear PP16512 - M12*P1.5*165 | |



| Refer. design | SIZE | | | | |
|---------------|------|-----|-------|-------|-----|
| | S | M | L | XL | XXL |
| A | 520 | 540 | 561 | 575 | 590 |
| B | 535 | 550 | 571 | 601 | 603 |
| B1 | 458 | 472 | 492 | 522 | 540 |
| C | 115 | 130 | 150 | 180 | 200 |
| D | 74° | 74° | 73,5° | 73,5° | 73° |
| E | 71° | 72° | 72° | 72° | 72° |
| F | 413 | 413 | 416 | 416 | 416 |
| G | 572 | 589 | 605,5 | 620 | 635 |
| REACH | 368 | 388 | 399 | 404 | 408 |
| STACK | 511 | 529 | 548 | 576 | 595 |

SCURO²⁵ BLUE



-  BLUE
-  GREY
-  SILVER
-  BLACK
- GLOSSY FINISH

SCURO 25 BOB

SCURO 25 GREEN LIME



- BLACK MATT
 - BLACK GLOSSY
 - RED GLOSSY
- BOB FINISH

- GREEN LIME
 - WHITE
 - BLACK
- GLOSSY FINISH

SCURO²⁵ RED

SCURO²⁵ ORANGE



- BLACK
 - RED
 - WHITE
- GLOSSY FINISH

- ORANGE
 - GREY
 - SILVER
 - BLACK
- GLOSSY FINISH

RAN RS



ESSENTIAL, STIFFER THAN EVER, THIS IS THE WEAPON TO
SPRINT HARD IN THE MOUNTAINS

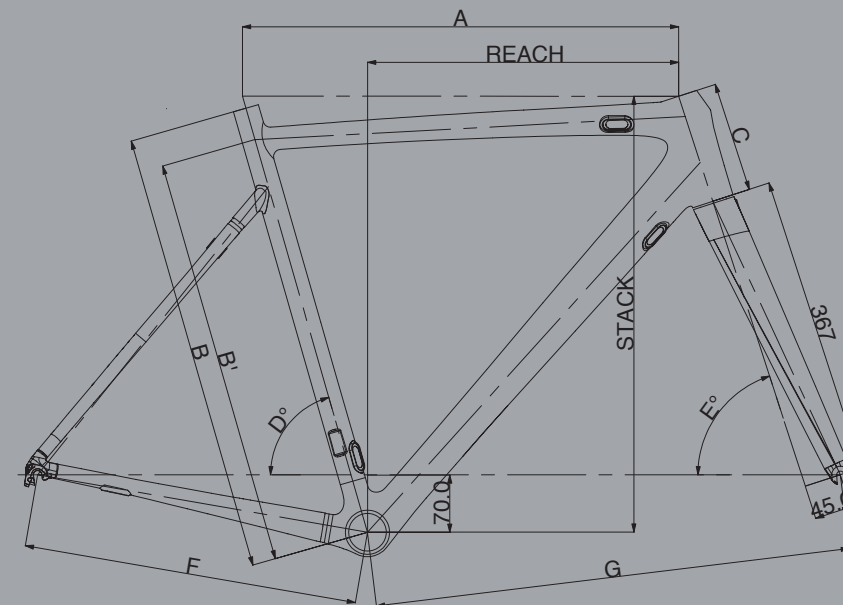


COLOR CUSTOMIZATION



RAN RS

| | | |
|---|---|--|
| Carbon monocoque highest modulus mrc mr60/hr40 | Frame weight 920 g (size M) | Five sizes XS, S, M, L, XL |
| Bottom bracket PF30 | Inner cables routing for mechanical and electronic devices | Seatpost 27,2 mm |
| Carbon monocoque K21 fork weight 325 g | Tapered headtube 1"1/8 – 1"1/4 with integrated headset SSDIFF15114 | Compatible hanger FRCDINTCCHF13 |



| Refer. design | SIZE | | | | |
|---------------|-------|-------|-----|-------|-----|
| | XS | S | M | L | XL |
| A | 505 | 520 | 535 | 555 | 575 |
| B | 485 | 505 | 540 | 555 | 585 |
| B1 | 440 | 463 | 500 | 515 | 538 |
| C | 106 | 120 | 135 | 155 | 180 |
| D | 75° | 74,5° | 74° | 73,5° | 73° |
| E | 71,5° | 71,5° | 72° | 72° | 73° |
| F | 407 | 407 | 410 | 410 | 413 |
| G | 567 | 578 | 583 | 598 | 605 |
| REACH | 370 | 376 | 381 | 389 | 397 |
| STACK | 505 | 518 | 534 | 553 | 580 |

RAN RS BLACK GLOSSY



- BLACK
- SILVER
- RED
- GLOSSY FINISH

RAN RS RED GLOSSY



- RED
- WHITE
- GLOSSY FINISH

ATLETA

AERO SHAPES AND FLAT GEOMETRY FOR THE MOST DEMANDING ATHLETES



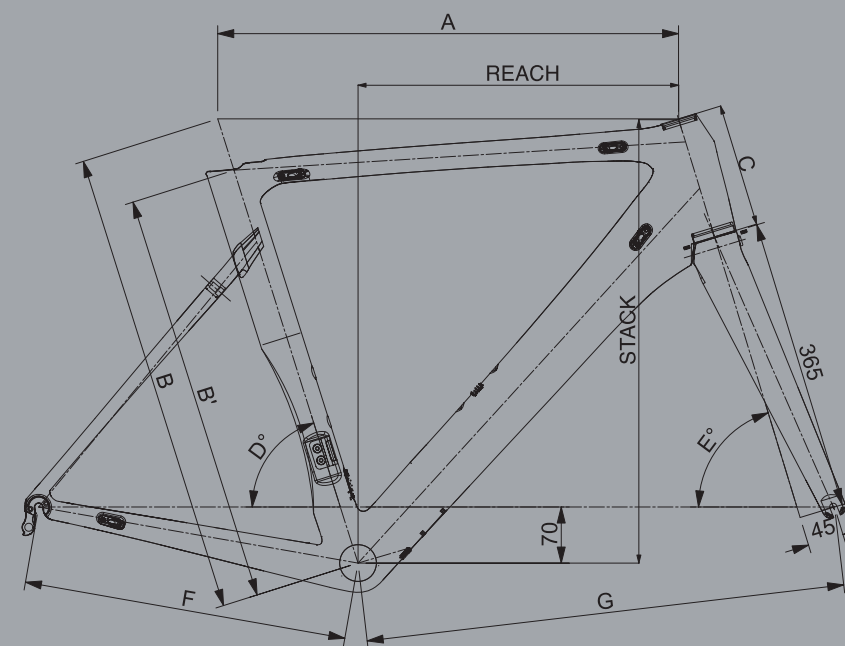
COLOR CUSTOMIZATION





ATLETA

| | | |
|---|---|--|
| Carbon monocoque T700 / T800 | Frame weight 950 g (size M) | Five sizes XS, S, M, L, XL |
| Bottom bracket PF30 | Inner cables routing for mechanical and electronic devices | Adjustable aero seat post 235 g |
| Carbon Atleta monocoque fork 370 g | Tapered head tube 1-1/8" - 1-1/2" with integrated headset SSDIFF83 | Compatible hanger FRCDINTDR24 |



| Refer. design | SIZE | | | | |
|---------------|------|-------|-----|-------|-------|
| | XS | S | M | L | XL |
| A | 525 | 545 | 560 | 575 | 595 |
| B | 518 | 540 | 560 | 581 | 605 |
| B1 | 455 | 475 | 495 | 515 | 535 |
| C | 100 | 115 | 135 | 155 | 175 |
| D | 74° | 73° | 73° | 72,5° | 72,5° |
| E | 72° | 72,5° | 73° | 73° | 74° |
| F | 405 | 405 | 405 | 405 | 405 |
| G | 573 | 580 | 590 | 600 | 609 |
| REACH | 382 | 386 | 396 | 400 | 413 |
| STACK | 498 | 512 | 536 | 555 | 577 |

ATLETA DOUBLE FACE



- BLACK
- BLUE ATLETA
- RED
- GLOSSY FINISH

ATLETA TEAM REPLICA



MULTICOLOR

GLOSSY FINISH

ATLETA BOB BLACK



BLACK MATT

BLACK GLOSSY

BOB FINISH

ATLETA BOB RED

ATLETA YELLOW



- BLACK MATT
- BLACK GLOSSY
- RED GLOSSY
- BOB FINISH

- BLACK
- YELLOW
- GLOSSY FINISH

VERTIGINE DB

NEW EDG DISC FORK PUSH YOU TO UNBELIEVABLE LIMITS

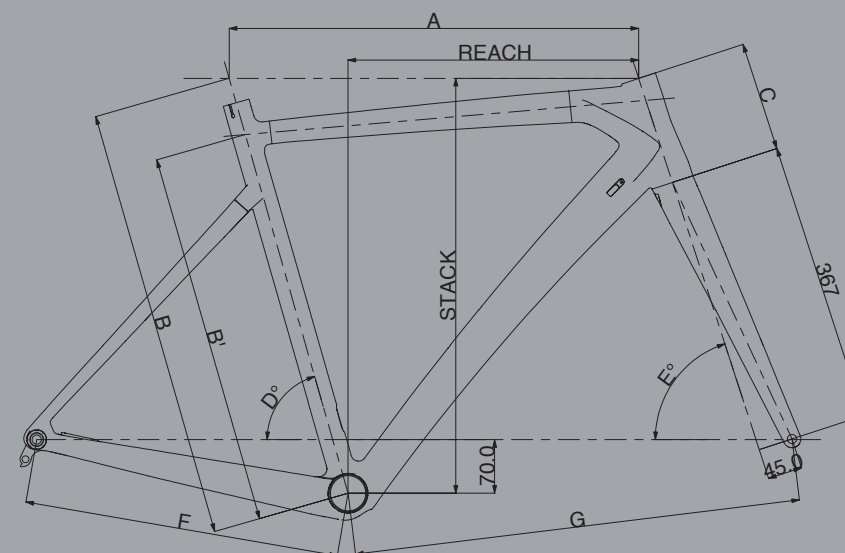


COLOR CUSTOMIZATION



VERTIGINE DB

| | | | |
|---|--|--|---|
| Carbon monocoque T700 | Frame weight 980 g (size M) | Five sizes XS, S, M, L, XL | Bottom bracket PF30 |
| Inner cables routing for mechanical and electronic devices | Seatpost 31,6 mm | Carbon monocoque EDG DB fork weight 430 g | Tapered head tube 1-1/8" - 1-1/2" with integrated headset SSDIFF83 |
| Compatible hanger FRCDPP12LD | Recommended trough axle item number front fork PP12012 - M12*P1.5*120 | Recommended trough axle item number rear PP16512 - M12*P1.5*165 | |



| Refer. design | SIZE | | | | |
|---------------|-------|-------|-----|-------|-----|
| | XS | S | M | L | XL |
| A | 505 | 520 | 535 | 555 | 575 |
| B | 475 | 495 | 530 | 545 | 575 |
| B1 | 435 | 455 | 490 | 505 | 535 |
| C | 115 | 130 | 145 | 165 | 190 |
| D | 75° | 74,5° | 74° | 73,5° | 73° |
| E | 71,5° | 71,5° | 72° | 72° | 73° |
| F | 413 | 413 | 416 | 416 | 416 |
| G | 567 | 578 | 584 | 600 | 605 |
| REACH | 367 | 374 | 379 | 389 | 395 |
| STACK | 516 | 526 | 542 | 561 | 588 |

VERTIGINE DB GREEN



 GREEN

 BLACK

 WHITE

GLOSSY FINISH

VERTIGINE DB BOB RED



 RED GLOSSY

 BLACK GLOSSY

 BLACK MATT

BOB FINISH

VERTIGINE DB BOB BLACK



 RED GLOSSY

 BLACK GLOSSY

 BLACK MATT

BOB FINISH

VERTIGINE

THE PERFECT MIX OF AERO AND STIFFNESS FOR EVERYONE
WHO WANTS TO RIDE HARD

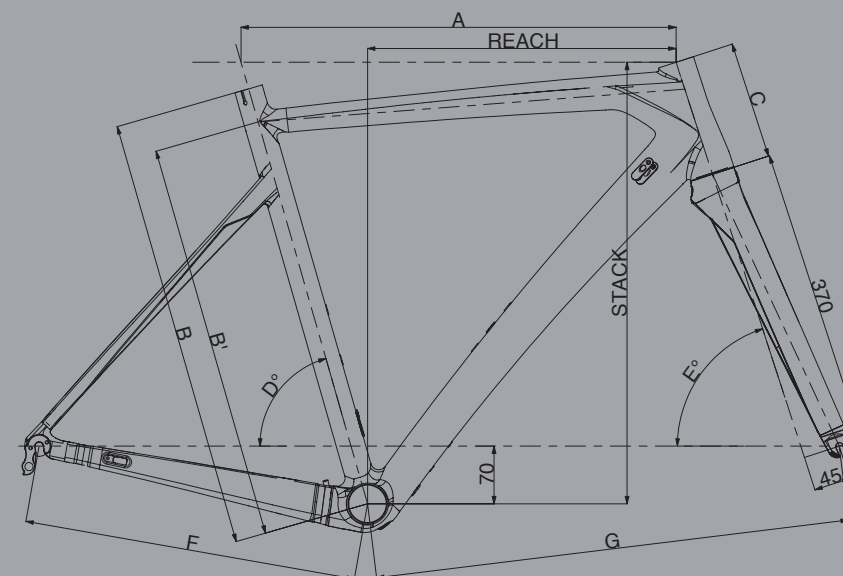


COLOR CUSTOMIZATION



VERTIGINE

| | | |
|--|--|--------------------------------------|
| Carbon monocoque T700 | Frame weight 980 g (size M) | Five sizes XS, S, M, L, XL |
| Bottom bracket PF30 | Inner cables routing for mechanical and electronic devices | Seatpost 31,6 mm |
| Carbon monocoque F-24 fork weight 380 g | Tapered headtube 1-1/8" – 1-1/2" with integrated headset SSDIFF83 | Compatible hanger FRCDINTDR24 |



| Refer. design | SIZE | | | | |
|---------------|-------|-------|-----|-------|------|
| | XS | S | M | L | XL |
| A | 505 | 520 | 535 | 555 | 575 |
| B | 475 | 495 | 530 | 545 | 575t |
| B1 | 435 | 455 | 490 | 505 | 535 |
| C | 115 | 130 | 145 | 165 | 190 |
| D | 75° | 74,5° | 74° | 73,5° | 73° |
| E | 71,5° | 71,5° | 72° | 72° | 73° |
| F | 407 | 407 | 410 | 410 | 410 |
| G | 567 | 578 | 584 | 600 | 605 |
| REACH | 367 | 374 | 379 | 389 | 395 |
| STACK | 516 | 526 | 542 | 561 | 588 |

VERTIGINE BOB RED

VERTIGINE ORANGE



-  RED GLOSSY
 -  BLACK GLOSSY
 -  BLACK MATT
- BOB FINISH

-  GREY
 -  ORANGE
 -  WHITE
- GLOSSY FINISH

GLADIATORE 2

COMFORT AND FANTASTIC FEELINGS FOR ALL GRANFONDO LOVERS

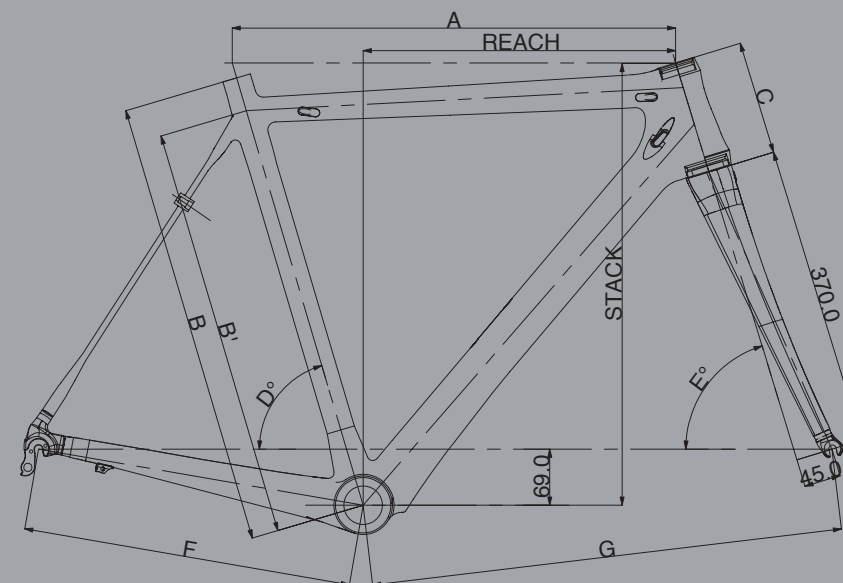


COLOR CUSTOMIZATION



GLADIATORE 2

| | | |
|--|---|--------------------------------------|
| Carbon monocoque T700 | Frame weight 1.050 g (size M) | Five sizes XS, S, M, L, XL |
| Bottom bracket BSA | Inner cables routing for mechanical and electronic devices | Seatpost 31,6 mm |
| Carbon monocoque F-23 fork weight 380 g | Tapered headtube 1"1/8 - 1"1/2 with integrated headset SDR23 | Compatible hanger FRCDINTDR24 |



| Refer. design | SIZE | | | | |
|---------------|-------|-------|-------|-------|-------|
| | XS | S | M | L | XL |
| A | 512 | 535 | 545 | 560 | 576 |
| B | 487 | 527 | 547 | 567 | 587 |
| B1 | 439 | 481 | 503 | 525 | 537 |
| C | 115 | 120 | 140 | 155 | 175 |
| D | 74,5° | 73,5° | 73,5° | 73,5° | 73,5° |
| E | 72° | 73° | 73° | 73° | 73° |
| F | 405 | 405 | 405 | 405 | 405 |
| G | 566 | 570 | 580 | 595 | 612 |
| REACH | 368 | 380 | 384 | 394 | 406 |
| STACK | 519 | 525 | 543 | 558 | 574 |

GLADIATORE 2 BOB BLACK



- BLACK GLOSSY
- BLACK MATT
- GREY MATT
- BOB FINISH

GLADIATORE 2 BOB RED



- BLACK GLOSSY
- BLACK MATT
- GREY MATT
- RED GLOSSY
- BOB FINISH

TITANIO²⁵

SPECIAL EDITION WITH THE BEST METAL MASTERPIECE EVER



SIZE CUSTOMIZATION

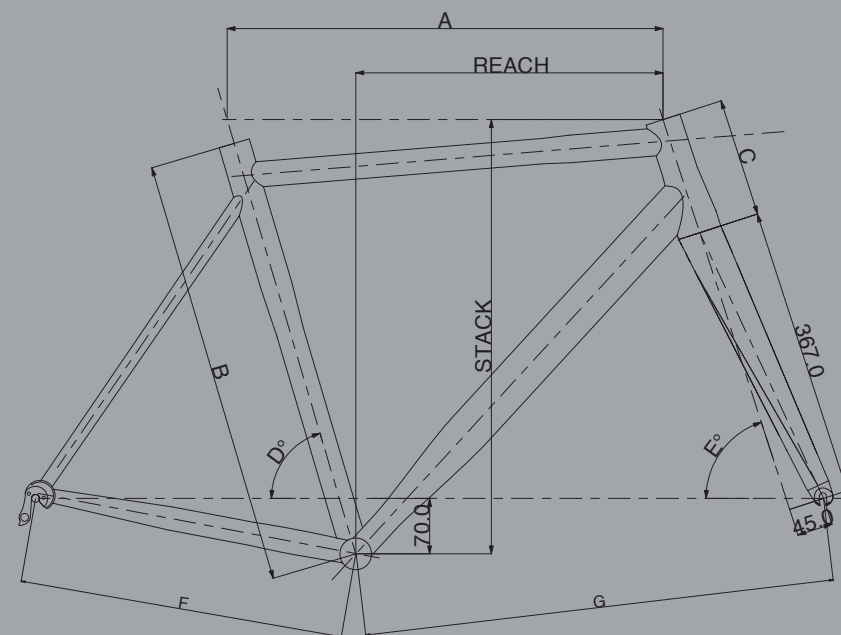


COLOR CUSTOMIZATION



TITANIO²⁵


| | | |
|--|--|---------------------------------------|
| Dedacciai Titanium 25th anniversary tubeset with front triangle grade 9 and rear triangle grade 2 | Weight 1.450 g (size M) | Six sizes XS, S, M, L, XL, XXL |
| Bottom bracket BSA | External cables routing, Di2/eps compatibility on demand | Seatpost 31,6 mm |
| Carbon monocoque EDG fork weight 350 g | Tapered headtube 1"1/8 – 1"1/2 with integrated headset SSDIFF83 | Compatible hanger FRCDINTTIT2 |



| Refer. design | SIZE | | | | | |
|---------------|-------|-----|-------|-------|-------|-------|
| | XS | S | M | L | XL | XXL |
| A | 500 | 515 | 540 | 555 | 570 | 585 |
| B | 470 | 490 | 520 | 540 | 560 | 580 |
| C | 115 | 125 | 150 | 165 | 185 | 200 |
| D | 74° | 74° | 73,5° | 73,5° | 73,5° | 73,5° |
| E | 71,5° | 72° | 72° | 72° | 72° | 72° |
| F | 407 | 407 | 410 | 410 | 413 | 413 |
| G | 553 | 564 | 585 | 600 | 615 | 631 |
| REACH | 353 | 365 | 378 | 388 | 397 | 408 |
| STACK | 513 | 524 | 548 | 562 | 581 | 596 |

TITANIO²⁵ MATT



-  TITANIUM
-  RED GLOSSY
-  BLACK GLOSSY

ACCIAIO²⁵

OUR HISTORY GOES FURTHER WITH THIS STATE OF THE ART FRAME



SIZE CUSTOMIZATION

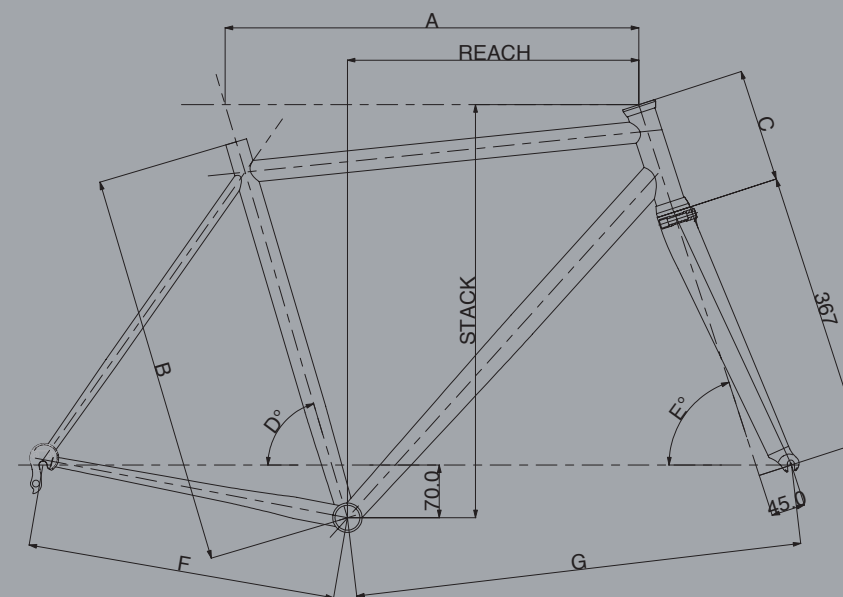


COLOR CUSTOMIZATION



ACCIAIO²⁵

| | | |
|---|--|---------------------------------------|
| Dedacciai Steel 25th anniversary tubeset | Frame weight 1.550 g (size M) | Six sizes XS, S, M, L, XL, XXL |
| Bottom bracket BSA | Inner cables routing, Di2/ eps compatibility on demand | Seatpost 27,2 mm |
| Carbon monocoque F-14 fork weight 320 g | Tapered headtube 1"1/8 - 1"1/2 with integrated headset SSDIFF83 | |



| Refer. design | SIZE | | | | | |
|---------------|-------|-----|-------|-------|-------|-------|
| | XS | S | M | L | XL | XXL |
| A | 500 | 515 | 540 | 555 | 570 | 585 |
| B | 470 | 490 | 520 | 540 | 560 | 580 |
| C | 115 | 125 | 150 | 165 | 185 | 200 |
| D | 74° | 74° | 73.5° | 73.5° | 73.5° | 73.5° |
| E | 71.5° | 72° | 72° | 72° | 72° | 72° |
| F | 407 | 407 | 410 | 410 | 413 | 413 |
| G | 553 | 564 | 585 | 600 | 615 | 631 |
| REACH | 353 | 365 | 378 | 388 | 397 | 408 |
| STACK | 513 | 524 | 548 | 562 | 581 | 596 |

ACCIAIO25



- BLACK GLOSSY
- RED GLOSSY
- SILVER GLOSSY
- GLOSSY FINISH

FLASH 2

RUN FAST AND ENJOY YOURSELF WITH THIS TT AND TRIATHLON FRAME KIT



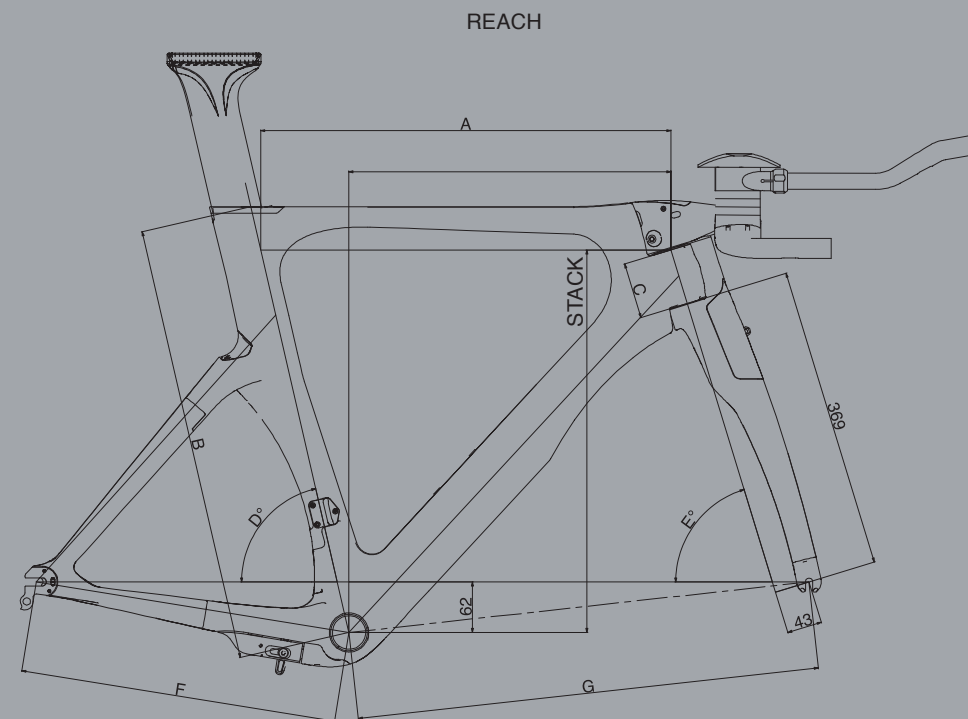
COLOR CUSTOMIZATION





FLASH 2

| | | | |
|---|--|--|---|
| Carbon monocoque highest modulus MRC MR60 | Frame weight 1.200 g (size M) | Four sizes S, M, L, XL | Bottom bracket BB86 |
| Inner cables routing for mechanical and electronic devices | Adjustable aero seat post SP07 | integrated Deda carbon handlebar with aerobar HB-08 | Integrated cantilever brakes with carbon fairing |
| Carbon monocoque F-49 fork weight 590 g | Headtube 1-1/8" with integrated headset SSiS2 | | |



| Refer. design | SIZE | | | |
|---------------|------|-----|-----|-----|
| | S | M | L | XL |
| A | 486 | 502 | 523 | 545 |
| B | 510 | 535 | 555 | 574 |
| C | 54 | 70 | 90 | 110 |
| D | 77° | 77° | 77° | 77° |
| E | 72° | 73° | 73° | 73° |
| F | 388 | 388 | 388 | 388 |
| G | 557 | 567 | 590 | 614 |
| REACH | 382 | 392 | 411 | 430 |
| STACK | 452 | 470 | 489 | 508 |

FLASH 2



- BLACK GLOSSY
- ORANGE RACING
- BOB FINISH

SUPER CROSS DB

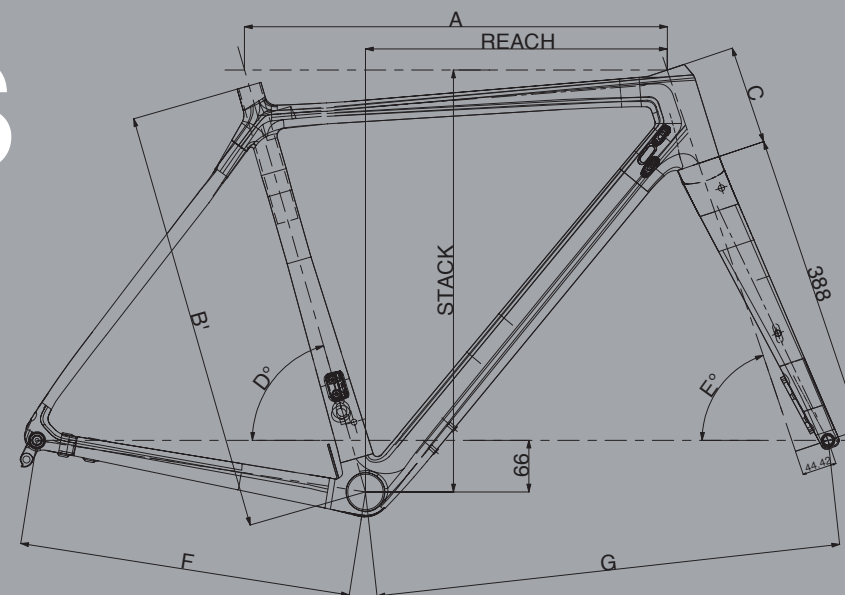
WHATEVER IS A RACE OR A TRAINING YOU'LL LOVE IT AND YOU CAN'T STOP RIDING



COLOR CUSTOMIZATION



SUPER CROSS DB



| | | | |
|---|--|--|--|
| Carbon monocoque highest modulus MRC MR 60 | weight 1.050 g (size M) | Six sizes XS, S, M, L, XL, XXL | Bottom bracket BB86 |
| Inner cables routing for mechanical and electronic devices | Seatpost 27,2 mm | Tapered headtube 1-1/8" - 1-1/2" with integrated headset SSDIFF83 | Carbon monocoque F-61 fork weight 450 g |
| Compatible hanger FRCDPP12GTC | Recommended trough axle item number front fork PP12512 - M12*P1.5*125 | Recommended trough axle item number rear PP16512 - M12*P1.5*165 | |

| Refer. design | SIZE | | | | | |
|---------------|------|-------|-------|-------|-------|-------|
| | XS | S | M | L | XL | XXL |
| A | 500 | 520 | 540 | 555 | 570 | 590 |
| B1 | 500 | 520 | 540 | 560 | 580 | 610 |
| C | 110 | 110 | 125 | 140 | 150 | 180 |
| D | 75° | 74,5° | 74 | 73,5° | 73° | 73° |
| E | 70° | 71° | 71,5° | 72 | 72,5° | 72,5° |
| F | 425 | 425 | 425 | 425 | 425 | 425 |
| G | 577 | 582 | 595 | 600 | 605 | 625 |
| REACH | 360 | 375 | 386 | 391 | 397 | 406 |
| STACK | 519 | 522 | 539 | 554 | 566 | 603 |

SUPER CROSS DB GREEN



- BLACK
 - GREEN
-
- GLOSSY FINISH

SUPER CROSS DB ORANGE



- BLACK
 - ORANGE
-
- GLOSSY FINISH

Performance chart of each frame. Score range from 6 to 10.

| | PRO RACE | ENDURANCE | MARATHON | TRAINING | TIME TRIAL | MOUNTAIN TT |
|---------------|----------|-----------|----------|----------|------------|-------------|
| SCURO25 | 10 | 9 | 9 | 9 | 8 | 8 |
| RAN RS | 10 | 8 | 8 | 8 | 7 | 10 |
| ATLETA | 10 | 8 | 8 | 8 | 9 | 7 |
| VERTIGINE DB | 9 | 8 | 8 | 8 | - | 8 |
| VERTIGINE | 9 | 8 | 8 | 8 | - | 8 |
| GLADIATORE 2 | 8 | 9 | 9 | 9 | - | 7 |
| TITANIO25 | 7 | 10 | 10 | 10 | - | 8 |
| ACCIAIO25 | 7 | 10 | 10 | 10 | - | 7 |
| FLASH 2 | 10 | - | - | 8 | 10 | 7 |
| SUPERCROSS DB | 9 | 9 | 9 | 9 | - | - |

THE INFORMATION AND PICTURES CONTAINED IN THIS CATALOGUE ARE VALID AT TIME OF PRINTING. DEDACCIAI SRL RESERVES THE RIGHT TO MODIFY THE CONTENT AND APPEARANCE OF PRODUCTS IN THE CATALOGUE. DEDACCIAI LOGO AND PRODUCTS ARE OWNED BY DEDACCIAI SRL, ANY UNAUTHORIZED USE THEREOF IS PUNISHABLE BY LAW.

STRADE
Dedacciai18
THE RACING TECHNOLOGY



Via Leonardo da Vinci, 19
26010 Campagnola Cremasca (CR) - Italy
Tel. +39 0373 74 499
Fax +39 0373 750 029
www.dedacciaistrada.com

